



ecopanel

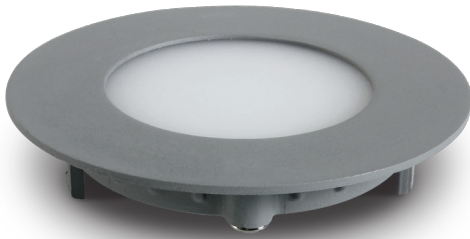
3W Round Recessed LED Panel (3000K)

Product Description

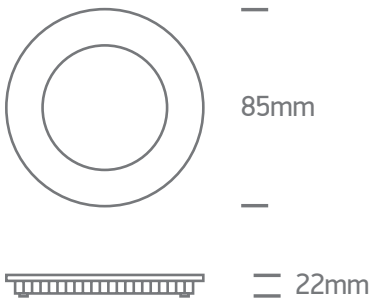
The 10103FA is a stylish and very slim, IP40, 3W downlight LED with a beam angle of 120°. Perfect for large or small commercial applications such as office spaces, galleries and showrooms.

Supplied with non-dimmable LED driver.

Complies with standard EN60598-1 and any other specific standards.



Dimensions



Order Code	Lampholder	Finish
10103FA/W/W	LED	White
10103FA/G/W	LED	Grey



Technical Data

Watts: 3W
LED brand: EPISTAR SMD2835
Number of LEDs: 15 LEDs
Colour Temperature: 3000K
Lumen: 180Lm
Beam angle: 120°
Light Efficiency: 60lm/W

CRI: 80
IP rate: IP40
Construction: Die cast
Diffuser: Opal acrylic
Warranty: 2 years

Driver Data

Input Voltage: 220-240V AC
Frequency: 50/60Hz
Power Factor: >0.6

Output Power: 2.4-3.6W
Output Current: 300mA
Output Voltage: 8-12V DC

