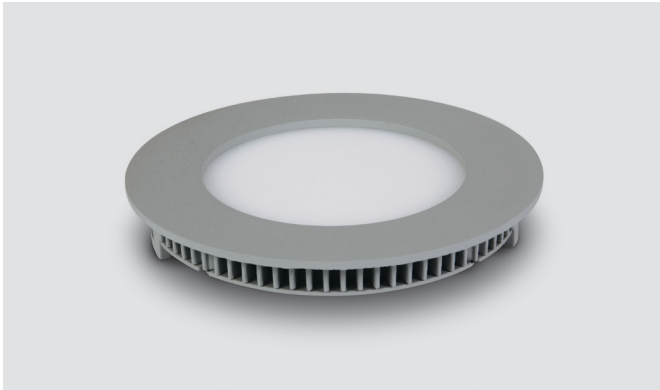




ecopanel

8W Round Recessed LED Panel (4000K)



Product Description

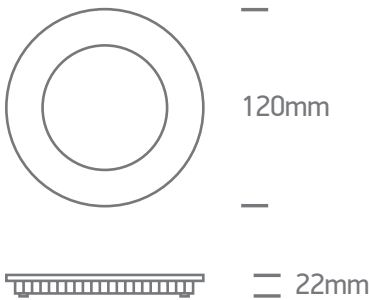
The 10108FA is a stylish and very slim, IP40, 8W downlight LED with a beam angle of 120°. Perfect for large or small commercial applications such as office spaces, galleries and showrooms.

Supplied with non-dimmable LED driver.
Available LED dimmable drivers as option. Order code 040008FD.

Complies with standard EN60598-1 and any other specific standards.



Dimensions



Order Code	Lampholder	Finish
10108FA/W/C	LED	White
10108FA/G/C	LED	Grey



Technical Data

Watts: 8W
LED brand: EPISTAR SMD3528
Number of LEDs: 42 LEDs
Colour Temperature: 4000K
Lumen: 560lm
Beam angle: 120°
Light Efficiency: 70lm/W

CRI: 80
Dimmable: Yes with dimmable driver 040008FD
IP rate: IP40
Construction: Die cast
Diffuser: Opal acrylic
Warranty: 2 years

Driver Data

Input Voltage: 220-240V AC
Frequency: 50/60Hz
Power Factor: 0.9

Output Power: 4-8W
Output Current: 320mA
Output Voltage: 12-24V DC

