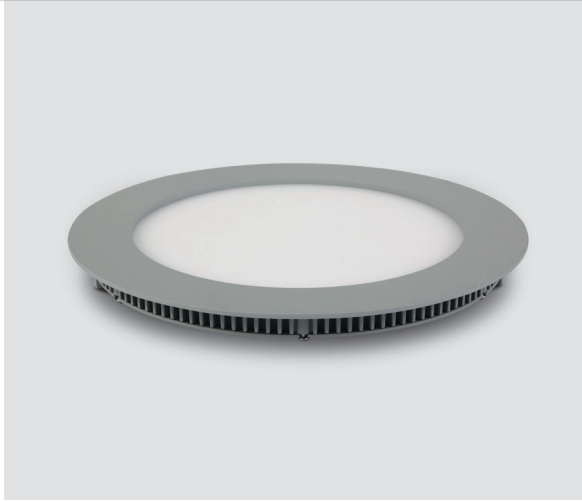




# ecopanel

## 12W Round Recessed LED Panel (4000K)



### Product Description

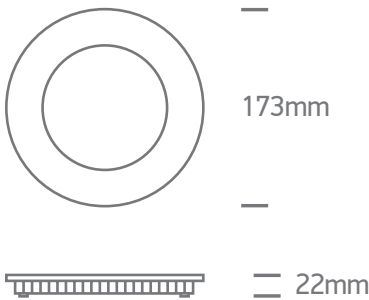
The 10112FA is a stylish and very slim, IP40, 12W downlight LED with a beam angle of 120°. Perfect for large or small commercial applications such as office spaces, galleries and showrooms.

Supplied with non-dimmable LED driver.  
Available LED dimmable drivers as option. Order code 040012FD.

Complies with standard EN60598-1 and any other specific standards.



### Dimensions



Order Code	Lampholder	Finish
10112FA/W/C	LED	White
10112FA/G/C	LED	Grey



### Technical Data

**Watts:** 12W  
**LED brand:** EPISTAR SMD3528  
**Number of LEDs:** 60 LEDs  
**Colour Temperature:** 4000K  
**Lumen:** 840lm  
**Beam angle:** 120°  
**Light Efficiency:** 70lm/W

**CRI:** 80  
**Dimmable:** Yes, with optional driver 040012FD  
**IP rate:** IP40  
**Construction:** Die cast  
**Diffuser:** Opal acrylic  
**Life Hours:** 30.000hrs  
**Warranty:** 2 years

### Driver Data

**Input Voltage:** 220-240V AC  
**Frequency:** 50/60Hz  
**Power Factor:** 0.9

**Output Power:** 7-11W  
**Output Current:** 250mA  
**Output Voltage:** 27-42V DC

