



ecolight

13W LED Downlight IP54 (4000K)



Product Description

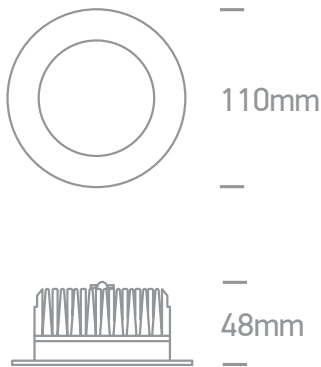
13W LED downlight, with built-in 100-240V LED driver, IP54 ideal for indoor and outdoor illumination.

Supplied with non-dimmable LED driver.

Complies with standard EN60598-1 and any other specific standards.



Dimensions



Order Code	Lampholder	Finish
10113B/W/C	LED	White



Technical Data

Watts: 13W
LED brand: EPISTAR 2835 SMD
Colour Temperature: 4000K
Lumen: 950lm
Light Efficiency: 73lm/W
Beam angle: 90°
CRI: 80

Dimmable: No
IP rate: IP54
Construction: Die Cast
Diffuser: Opal PMMA
Life Hours: 40.000 hrs
Warranty: 2 years

Technical Data

Input Voltage: 100-240V AC
Frequency: 50/60Hz
Power Factor: >0.9

Output Power: 8,2-12W
Output Current: 390mA
Output Voltage: 21-31V

