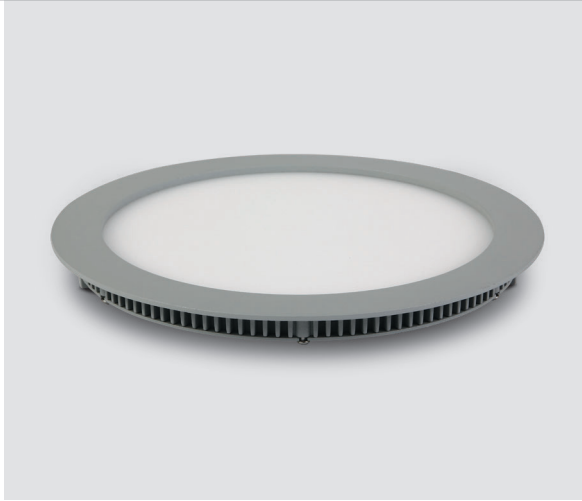




# ecopanel

## 30W Round Recessed LED Panel (3000K)



### Product Description

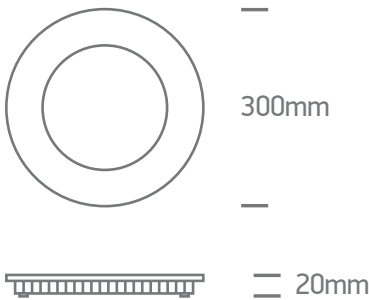
The 10130FA is a stylish and very slim, IP40, 30W downlight LED with a beam angle of 120°. Perfect for large or small commercial applications such as office spaces, galleries and showrooms.

Supplied with non-dimmable LED driver.  
Available LED dimmable drivers as option. Order code 040030FD.

Complies with standard EN60598-1 and any other specific standards.



### Dimensions



Order Code	Lampholder	Finish
10130FA/W/W	LED	White
10130FA/G/W	LED	Grey



### Technical Data

**Watts:** 30W  
**LED brand:** EPISTAR SMD  
**Number of LEDs:** 144 LEDs  
**Colour Temperature:** 3000K  
**Lumen:** 2000lm  
**Beam angle:** 120°  
**Light Efficiency:** 67lm/W

**CRI:** 80  
**Dimmable:** Yes, with optional driver 040030FD  
**IP rate:** IP40  
**Construction:** Die cast  
**Diffuser:** Opal acrylic  
**Life Hours:** 30.000hrs  
**Warranty:** 2 years

### Driver Data

**Input Voltage:** 220-240V AC  
**Frequency:** 50/60Hz  
**Power Factor:** 0.9

**Output Power:** 19-29,5W  
**Output Current:** 700mA  
**Output Voltage:** 27-42V DC

