



ecopanel

40W Round Recessed LED Panel (4000K)



Product Description

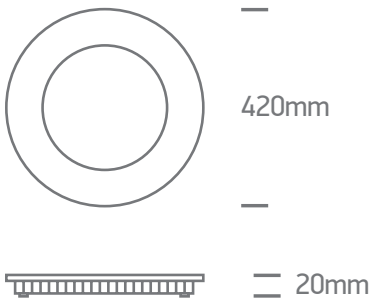
The 10140F is a stylish and very slim IP40 40W downlight LED with a beam angle of 120°. Perfect for large or small commercial applications such as office spaces, galleries and showrooms.

Supplied with non-dimmable LED driver.

Complies with standard EN60598-1 and any other specific standards.



Dimensions



Order Code	Lampholder	Finish
10140F/W/C	LED	White
10140F/G/C	LED	Grey



Technical Data

Watts: 40W
LED brand: EPISTAR 2016 SMD LED
Number of LEDs: 300 LEDs
Colour Temperature: 4000K
Lumen: 2800lm
Beam angle: 120°
Light Efficiency: 70lm/W

CRI: >80
Dimmable: No
IP rate: IP40
Construction: Die cast
Diffuser: Opal acrylic
Life Hours: 30.000hrs
Warranty: 2 years

Driver Data

Input Voltage: 100-240V AC
Frequency: 50/60Hz
Power Factor: 0.9

Output Power: 32-36W
Output Current: 950mA
Output Voltage: 34-38V DC

