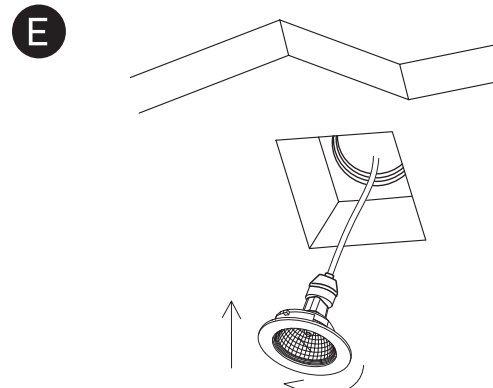
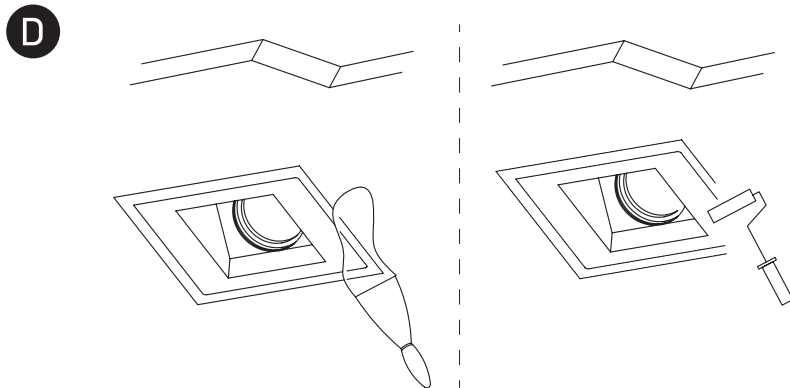
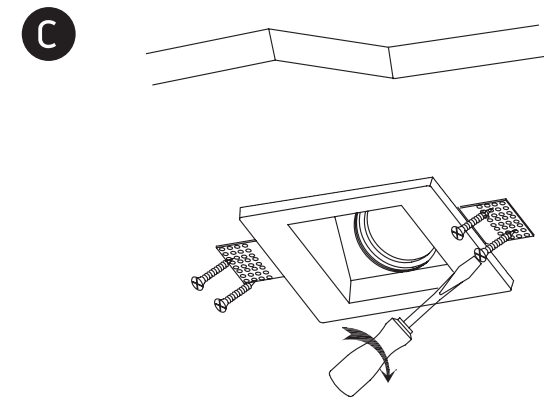
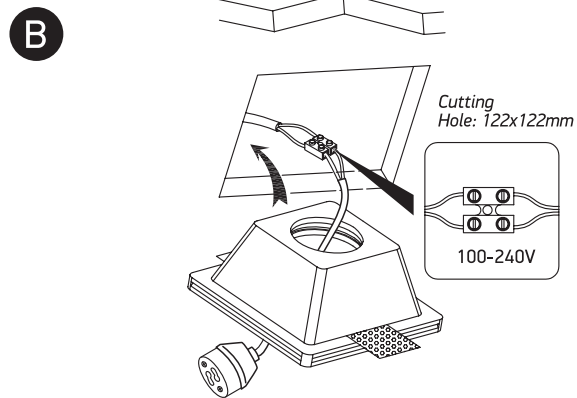
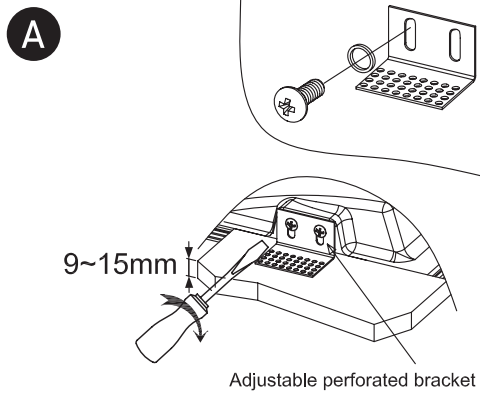
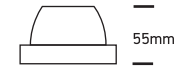
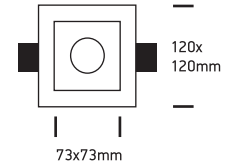
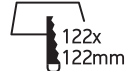


INSTALLATION MANUAL

50105GT2



MR16 GU10 | 100-240V | 50W | IP20 | Gypsum



Warnings:

1. Make sure that the product is installed properly before connecting to electricity.
2. Do not cover the fitting.
3. Maintenance and installation should only be carried out by a professional electrician.