

INSTALLATION MANUAL

50136P

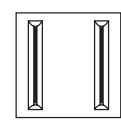
ecopanel



UGR19



595mm



595mm



30mm

230V | SMD 2835 | 36W | IP40 | Metal

Complete with 900mA driver.
Optional recessed kit (4pcs).
Order code 050108A.

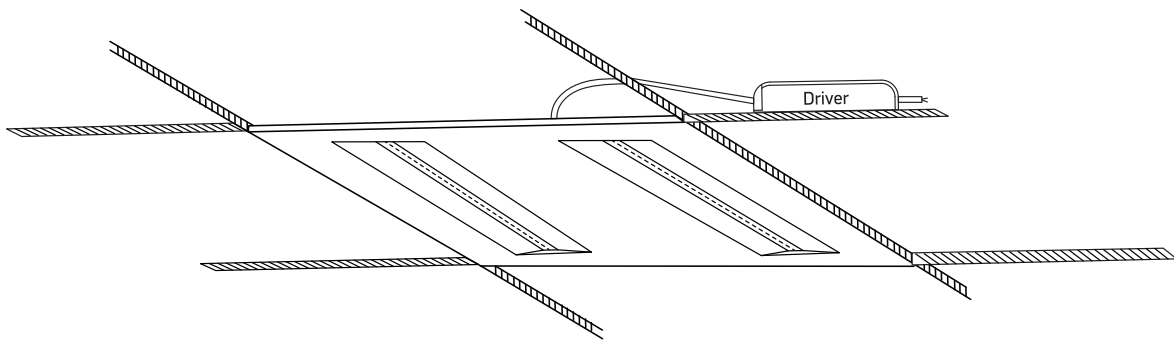
80
CRI



60mm

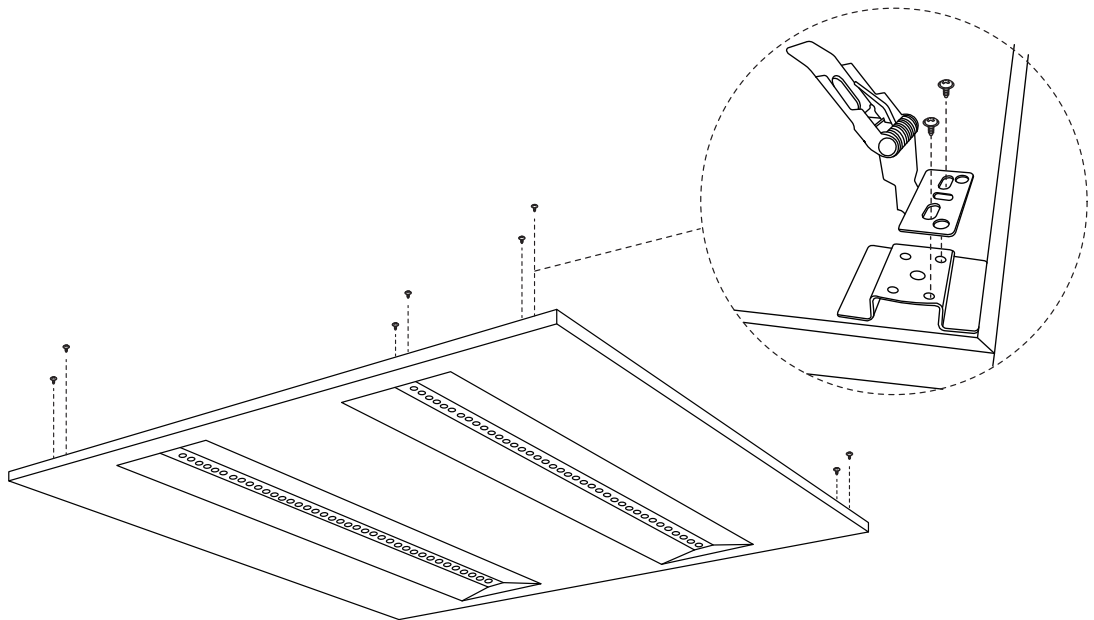
one
LIGHT

A



Recessed fitting for 600x600mm T-rail false ceilings.

B



Ceiling mount suspended applications using optional kit 050108A.

Warnings:

1. Make sure that the product is installed properly before connecting to electricity.
2. Do not cover the fitting.
3. Maintenance and installation should only be carried out by a professional electrician.