

# INSTALLATION MANUAL

62018AF

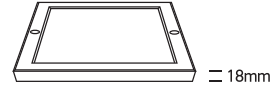
**ecolight**



80  
CRI



220x220mm

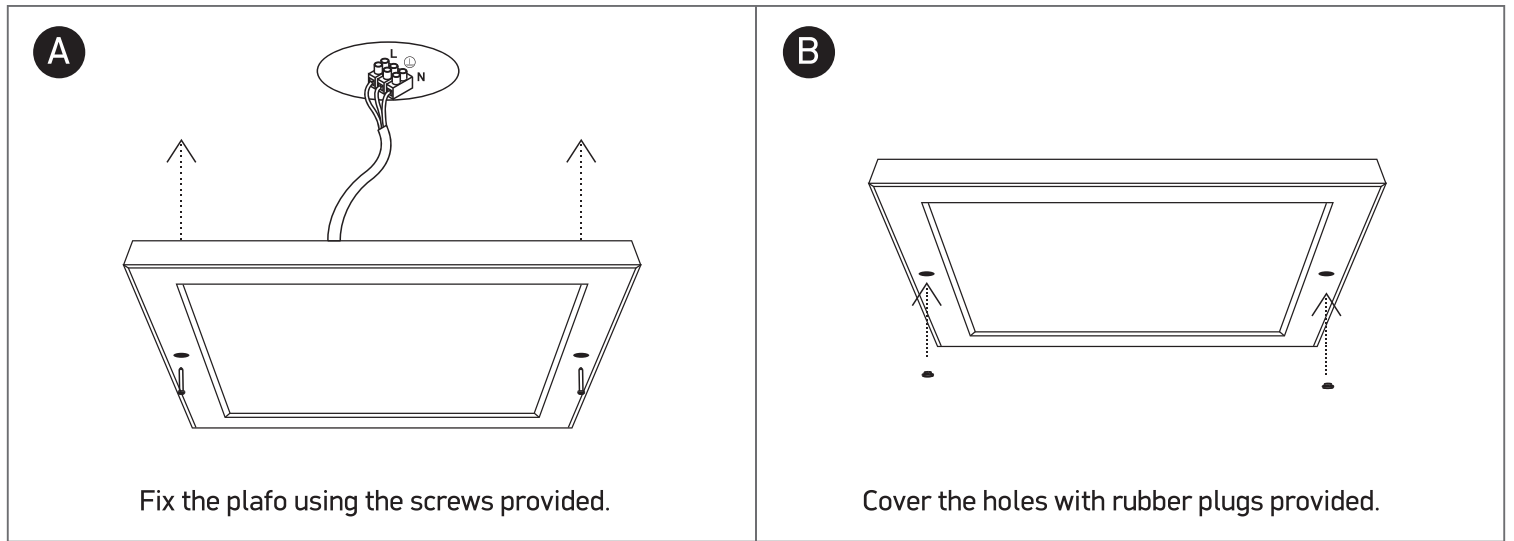


**one**  
LIGHT

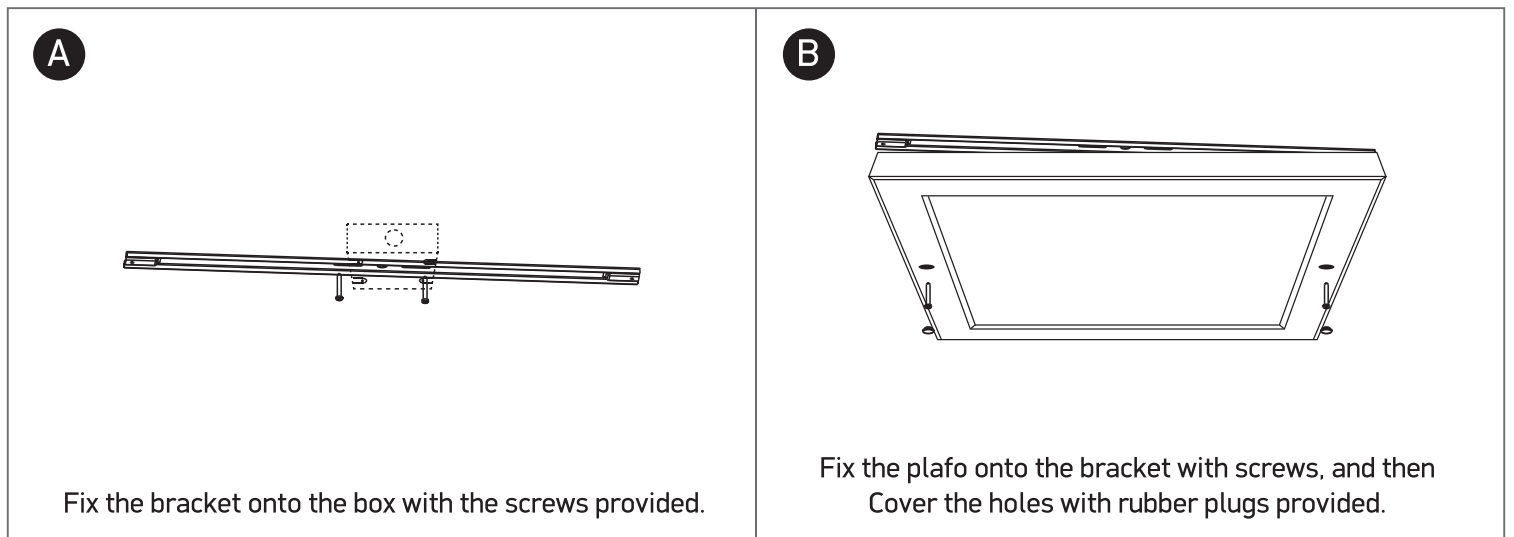
230V | SMD 4014 | 18W | IP40 | Aluminium + PC

Complete with driver.

## SURFACE MOUNTED



## INSTALL USING THE BRACKET



### Warnings:

1. Make sure that the product is installed properly before connecting to electricity.
2. Do not cover the fitting.
3. Maintenance and installation should only be carried out by a professional electrician.