



ecolight

6W IP54 Outdoor Wall Led Cylinders (3000K)



Product Description

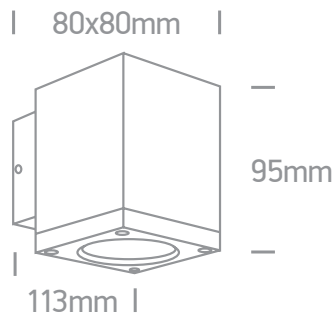
6W LED Wall LED cylinders, IP54, ideal for both indoor and outdoor installation.

Supplied with non-dimmable LED driver.

Complies with standard EN60598-1 and any other specific standards.



Dimensions



Order Code	Lampholder	Finish
67138F/W/W	LED	White
67138F/AN/W	LED	Anthracite
67138F/G/W	LED	Grey



Technical Data

Watts: 6W
LED brand: Edison COB LED
Number of LEDs: 1 LEDs
Colour Temperature: 3000K
Lumen: 440lm
Light Efficiency: 73,33lm/W

CRI: 80
Dimmable: No
IP rate: IP54
Construction: Die Cast
Diffuser: Clear Glass
Life Hours: 20.000hrs
Warranty: 2 years

Driver Data

Input Voltage: 100-240V AC
Input Frequency: 50/60Hz
Power Factor: >0,8

Output Power: 3-6W
Output Current: 500mA
Output Voltage: 6-12V DC

