



ecolight

9W IP54 LED Wall Light (3000K)



Product Description

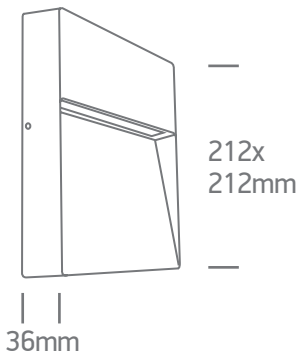
9W LED wall light, IP54, ideal for both indoor and outdoor installation.

Supplied with non-dimmable LED driver.

Complies with standard EN60598-1 and any other specific standards.



Dimensions



Order Code	Lampholder	Finish
67360A/W/W	LED	White
67360A/AN/W	LED	Anthracite



Technical Data

Watts: 9W
LED brand: EDISON SMD 5630B
Number of LEDs: 15 LEDs
Colour Temperature: 3000K
Lumen: 350lm
Light Efficiency: 39lm/W

CRI: 80
Dimmable: No
IP rate: IP54
Construction: Die cast
Diffuser: Clear glass
Life Hours: 50.000hrs
Warranty: 2 years

Driver Data

Input Voltage: 220-240V AC
Input Frequency: 50/60Hz
Power Factor: 0,7

Output Power: 5,6-9W
Output Current: 700mA
Output Voltage: 8-13V DC

