



# ecolight

## 9W IP54 LED Wall Light (3000K)



### Product Description

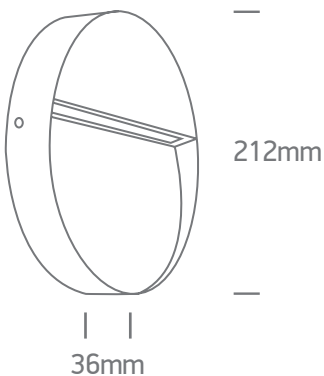
9W LED wall light, IP54, ideal for both indoor and outdoor installation.

Supplied with non-dimmable LED driver.

Complies with standard EN60598-1 and any other specific standards.



### Dimensions



Order Code	Lampholder	Finish
67360/W/W	LED	White
67360/AN/W	LED	Anthracite



### Technical Data

**Watts:** 9W  
**LED brand:** EDISON SMD 5630B  
**Number of LEDs:** 15 LEDs  
**Colour Temperature:** 3000K  
**Lumen:** 350lm  
**Light Efficiency:** 39lm/W

**CRI:** 80  
**Dimmable:** No  
**IP rate:** IP54  
**Construction:** Die cast  
**Diffuser:** Clear glass  
**Life Hours:** 50.000hrs  
**Warranty:** 2 years

### Driver Data

**Input Voltage:** 220-240V AC  
**Input Frequency:** 50/60Hz  
**Power Factor:** 0,7

**Output Power:** 5,6-9W  
**Output Current:** 700mA  
**Output Voltage:** 8-13V DC

