

# INSTALLATION MANUAL

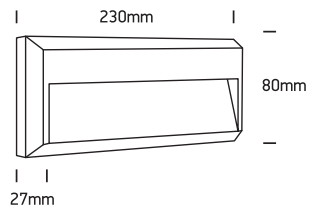
67388C

**ecolight**

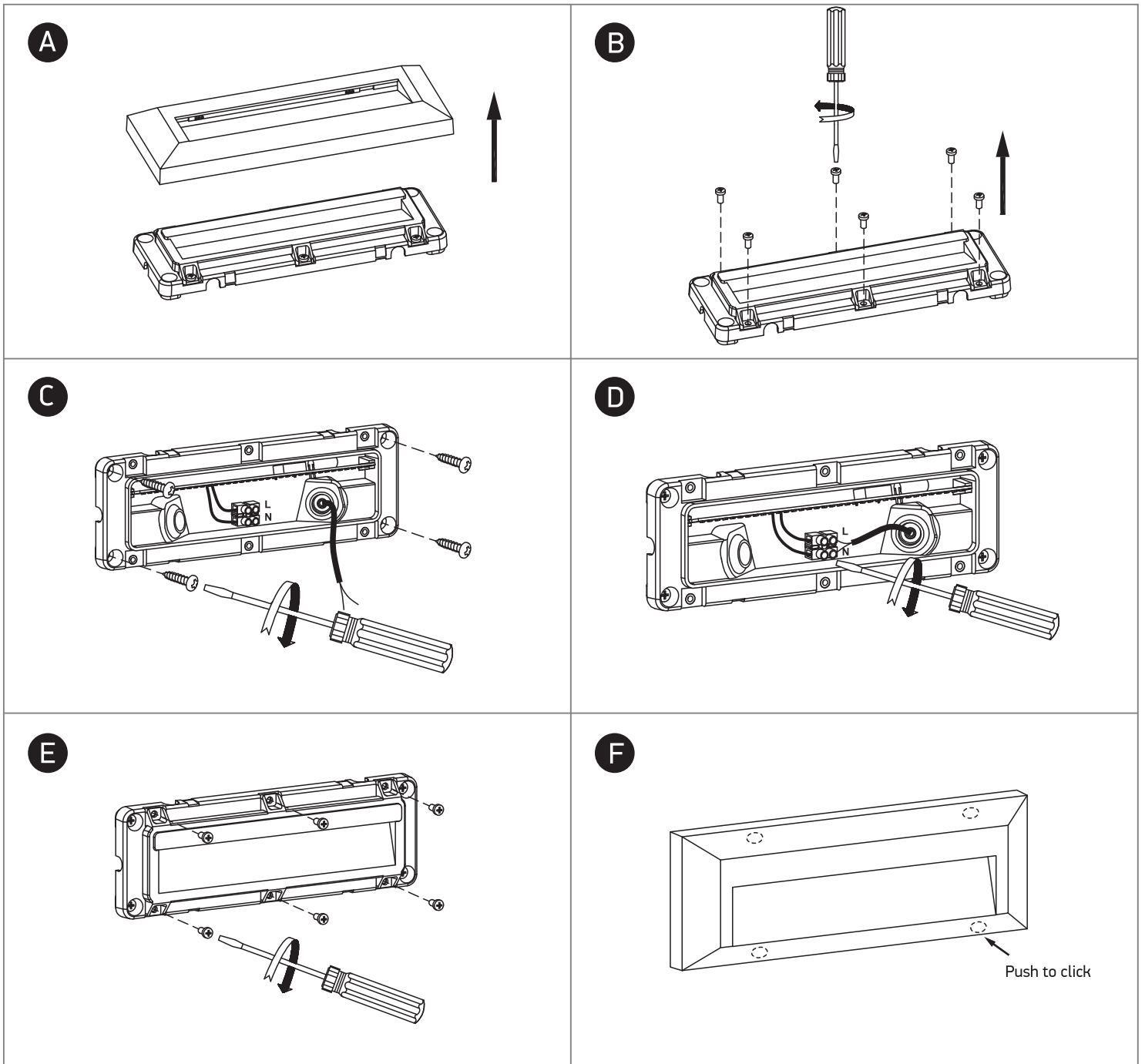


DARK  
LIGHT

230V | SMD 3014 | 2W | IP65 | ABS+PC



**one**  
LIGHT



## Warnings:

1. Make sure that the product is installed properly before connecting to electricity.
2. Do not cover the fitting.
3. Maintenance and installation should only be carried out by a professional electrician.