

INSTALLATION MANUAL

67430A

ecolight



DARK LIGHT

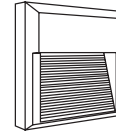
80 CRI

230V | SMD 2835 | 8W | IP65 | ABS + PC

Complete with driver.



52mm

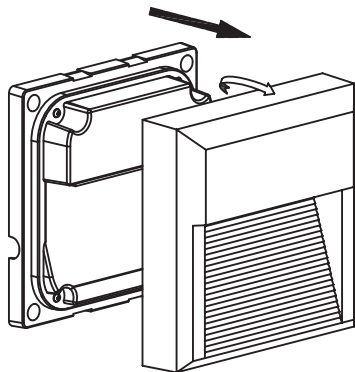


197mm

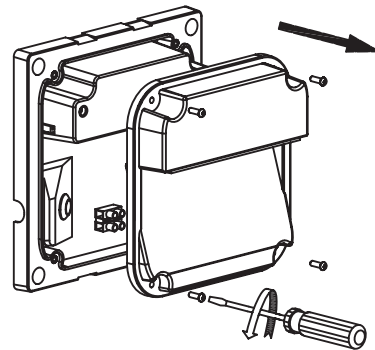
197mm

one
LIGHT

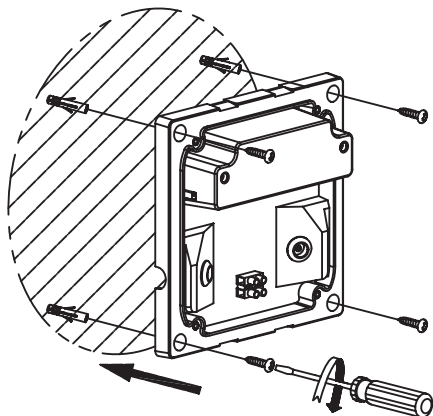
A



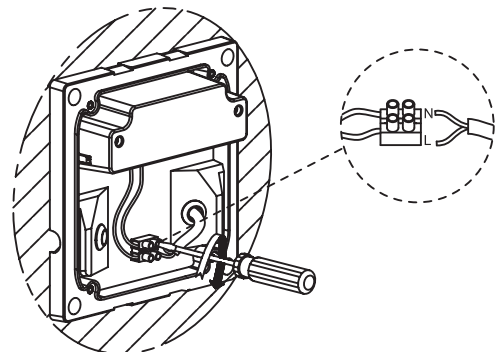
B



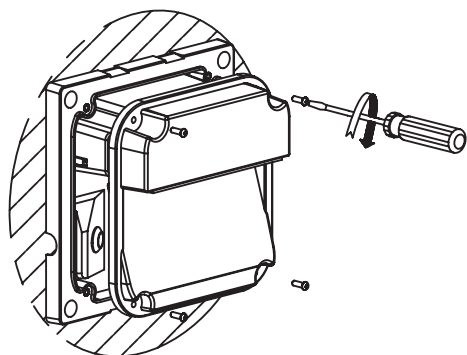
C



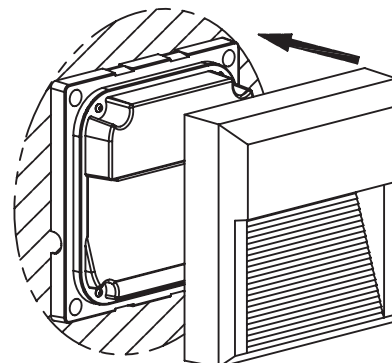
D



E



F



Warnings:

1. Make sure that the product is installed properly before connecting to electricity.
2. Do not cover the fitting.
3. Maintenance and installation should only be carried out by a professional electrician.