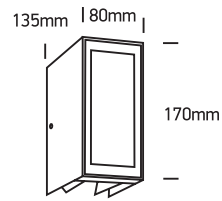


INSTALLATION MANUAL

67440

ecolight

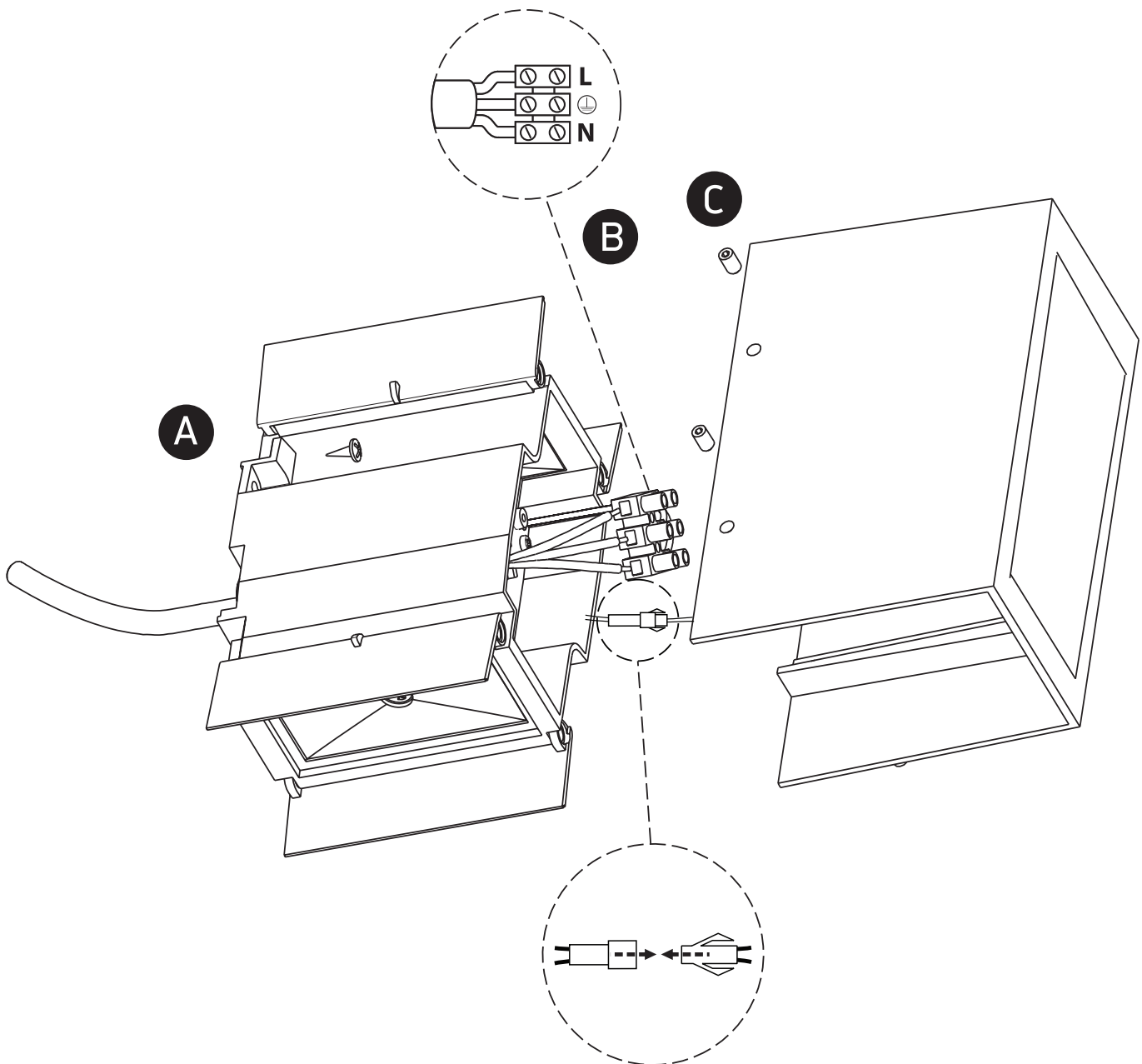


230V | 9W | IP54 | Adjustable beams | Die cast

Complete with driver.

80
CRI

one
LIGHT



Warnings:

1. Make sure that the product is installed properly before connecting to electricity.
2. Do not cover the fitting.
3. Maintenance and installation should only be carried out by a professional electrician.