

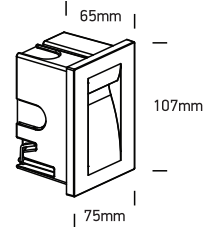
INSTALLATION MANUAL

68062

ecolight



Ra>80

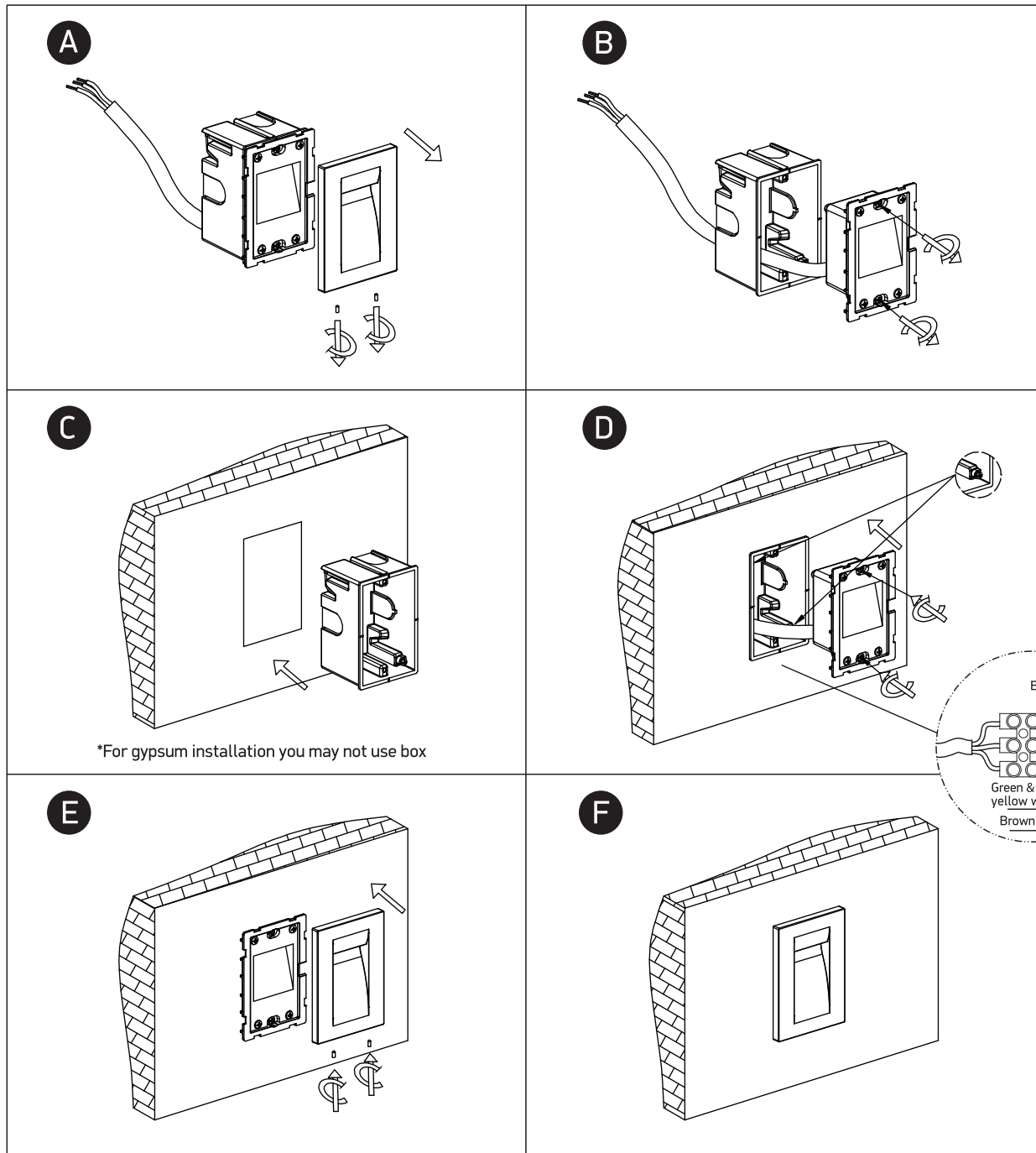


100-240V | 3W | IP65 | Die cast

Complete with driver
Supplied with box for
concrete installation



one
LIGHT



Warnings:

1. Make sure that the product is installed properly before connecting to electricity.
2. Do not cover the fitting.
3. Maintenance and installation should only be carried out by a professional electrician.