

# INSTALLATION MANUAL

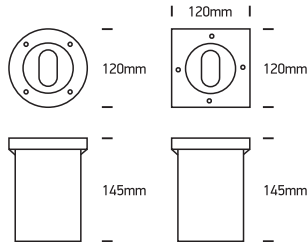
69046G, 69048G



160mm+300mm  
drainage

115mm

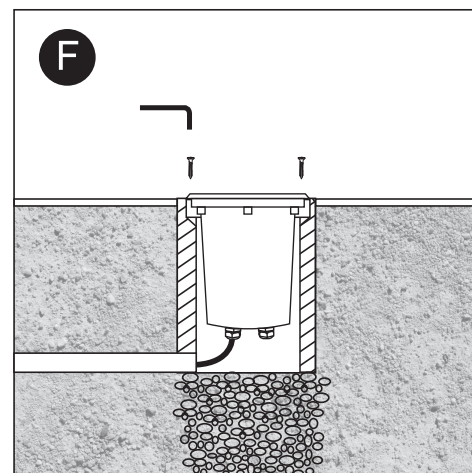
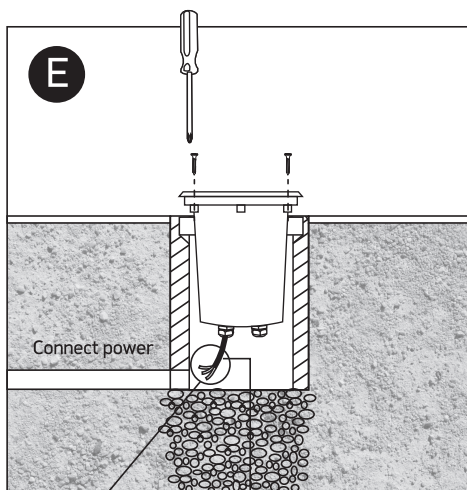
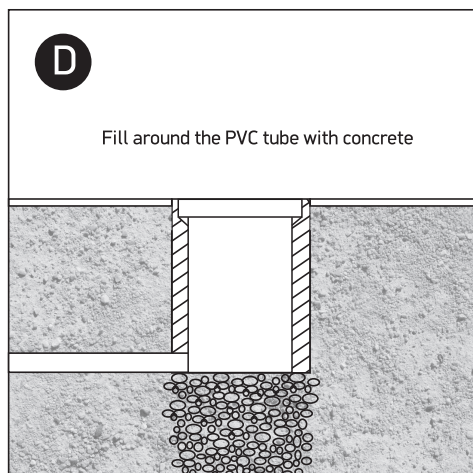
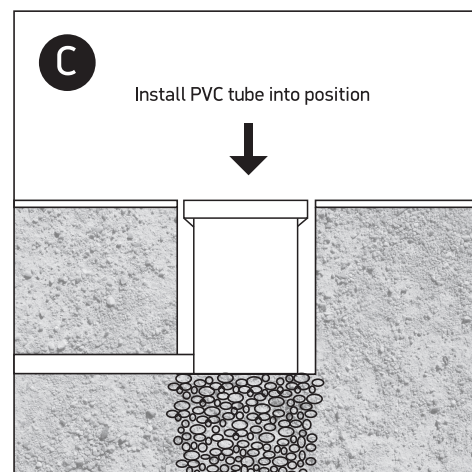
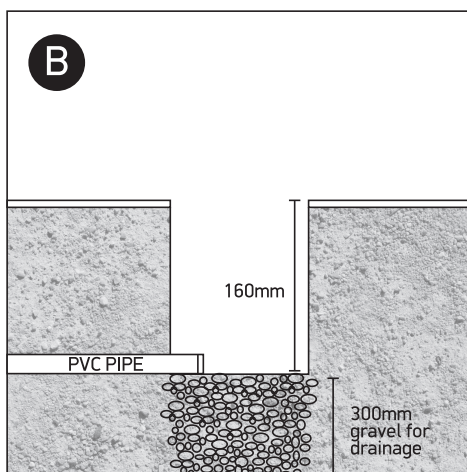
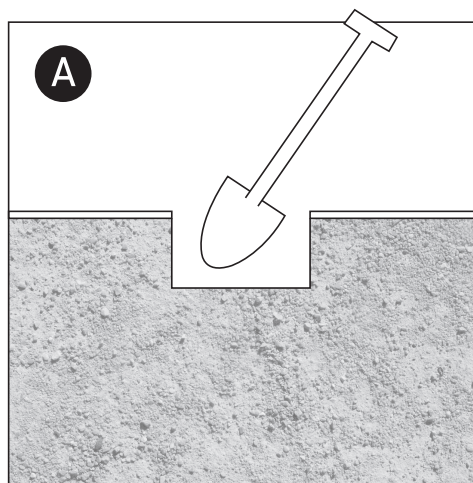
200cm



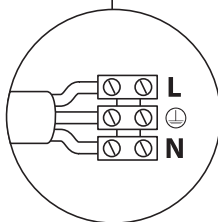
100-240V | MR16 | GU10 | 10W | IP67 | Stainless steel 316 | Adjustable

Removable light guide | 2 glands

one  
LIGHT



0800B  
Order separately



## Warnings:

1. Make sure that the product is installed properly before connecting to electricity.
2. Do not cover the fitting.
3. Maintenance and installation should only be carried out by a professional electrician.