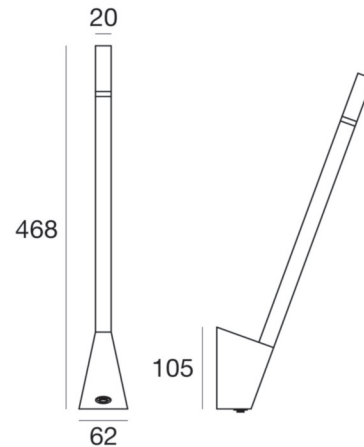
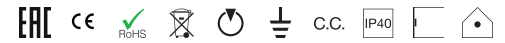




| CRI 90
7234



| Technical data | |
|--|------------------|
| Designer | Linea Light |
| Construction year | 2012 |
| Type | Surface |
| Installation position | Wall lights |
| Installation environment | Indoor |
| Light Source | LED |
| Circuit structure | topLED |
| Optics | General Lighting |
| Light emission direction | frontal |
| Power | 2 W |
| Source lumens | 200 lm |
| CCT / Tone | 3000 K |
| Colour rendering index | 90 Ra |
| Safety class | 1 |
| IP | IP40 |
| Glow wire test | 850° |
| Direct mounting on normally flammable surfaces | Yes |
| CE | Yes |
| ETL | No |
| Fire Rated (BS 476 PT21 compliant) | No |
| Emergency mode | No |
| Motion sensor | No |
| Directional | Swivelling |
| total angle (vertical plane) | 360 ° |
| total angle (horizontal plane) | 360 ° |
| Tilting | No |
| Walk-over | No |
| Drive-over | No |
| Cable included | No |
| Resin potting | No |
| Type of light emission | Single emission |
| Net weight | 0.450 Kg |
| Electrostatic discharge protection | No |
| Surge protection | No |

Finishing casing

| | |
|------------|-------------------------|
| Material | Aluminium |
| Colour | embossed white RAL 9003 |
| Processing | Coating |

Finishing diffuser

| | |
|------------|-----------------|
| Material | PC |
| Colour | white |
| Processing | Satin finishing |

Finishing mounting frame

| | |
|------------|-------------------------|
| Material | Iron |
| Colour | embossed white RAL 9003 |
| Processing | Coating |

Electronics

012000124000
Multi Power 220~240V AC



| CRI 90
7234

Single emission wall lights for indoor application. The warm white LED light source with a general lighting light distribution is composed of 1 powered LEDs with CCT of 3000 K and a CRI 90; the source luminous flux is 200 lm, with a 100.0 lm/W nominal luminous efficacy.

The device body is made of aluminium and features a embossed white ral 9003 finish, processed by means of coating; the diffuser is made of PC with a satin finishing treatment; the mounting frame is made of iron, with a embossed white ral 9003 finish, processed by means of coating. The ingress protection degree is IP40; the total weight is of 0.450 kg.

The total absorbed power is 2,0 W.

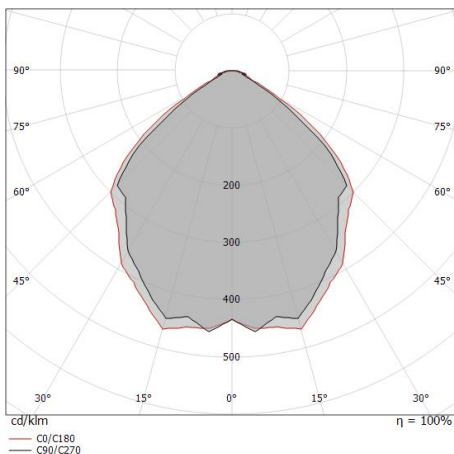
The device features protection class I and can be wall lights-mounted.

Compliant with the EN 60598-1 standard and its specific provisions.

| Illuminotechnical Features | |
|---|----------------|
| Light Output Ratio (LOR) | 58 % |
| Source lumens | 200 lm |
| Delivered lumens | 117 lm |
| Consumption | 2,0 W |
| Luminaire efficacy | 58 lm/W |
| Colour temperature | 3000 K |
| Standard Deviation of Colour Matching | 3 Step MacAdam |
| Colour rendering index | 90 Ra |
| Junction temperature (lighting fixture) | 80 |
| Standard Operating Ambient Temperature | 25 |
| LED Life / Failure Ratio | |
| L80 B20 C0 80000h | |

| UGR | |
|-------------------|----------|
| X=4H Y=8H | S=0.25H |
| Reflection factor | 70/50/20 |
| UGR transversal | < 28 |
| UGR axial | < 28 |

| OPTICAL | |
|-----------------------------|---------------|
| Light distribution simmetry | Symmetrical 2 |
| C0/C180 optics | 102° |
| C90/C270 optics | 99° |



| Distance [m] | Cone diameter [m] | Illuminance [lx] | E(0°) | E(C90) | E(C0) |
|--------------|-------------------|------------------|-------|--------|-------|
| 0.5 | 1.18 1.23 | 203 | 49.7° | 29 | 27 |
| 1.0 | 2.36 2.47 | 51 | 49.7° | 7 | 7 |
| 1.5 | 3.54 3.70 | 23 | 49.7° | 3 | 3 |
| 2.0 | 4.72 4.94 | 13 | 49.7° | 2 | 2 |
| 2.5 | 5.90 6.17 | 8 | 49.7° | 1 | 1 |
| 3.0 | 7.07 7.41 | 6 | 49.7° | 1 | 1 |

Distance [m] Cone diameter [m] Illuminance [lx]

— C0/C180 (Half-peak divergence: 102.0°)
— C90/C270 (Half-peak divergence: 99.4°)