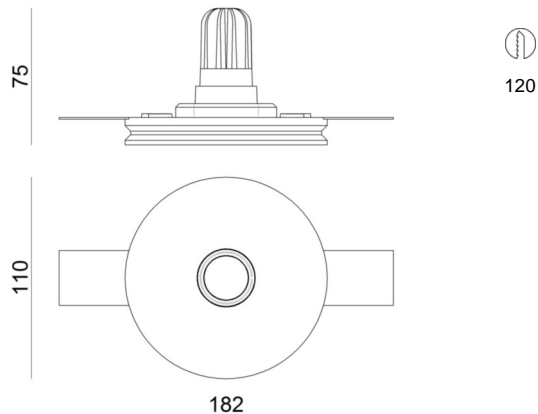




Downlights | 220-240 V | 1 x powerLED 7.5 W 550 mA  
CRI 80  
**8819**



Technical data	
Type	Downlights
Installation position	Wall lights - Ceiling
Installation environment	Indoor
Light Source	LED
Circuit structure	powerLED
Optics	Spot
Light emission direction	downward
Power	7.5 W
Source lumens	936 lm
Frequency	60 - 50 Hz
CCT / Tone	3000 K
Colour rendering index	80 Ra
AC / DC	AC
Safety class	2
IP	IP40
Glow wire test	650°
Direct mounting on normally flammable surfaces	Yes
CE	Yes
ETL	No
Fire Rated (BS 476 PT21 compliant)	No
Driver included	Driver
Emergency mode	No
Motion sensor	No
Directional	No
Tilting	No
Walk-over	No
Drive-over	No
Cable included	No
Resin potting	No
Type of light emission	Single emission
Electrostatic discharge protection	No
Surge protection	No

Finishing diffuser	
Material	PMMA
Colour	transparent

Finishing mounting frame	
Material	plaster
Colour	white



Downlights | 220-240 V | 1 x powerLED 7.5 W 550 mA | CRI 80  
**8819**

Single emission downlights for indoor application. The warm white LED light source with a spot light distribution is composed of 1 powered LEDs with CCT of 3000 K and a CRI 80; the source luminous flux is 936 lm, with a 124.8 lm/W nominal luminous efficacy.

; the diffuser is made of pmma; the mounting frame is made of plaster, with a white finish. The ingress protection degree is IP40;

The total absorbed power is 7.5 W.

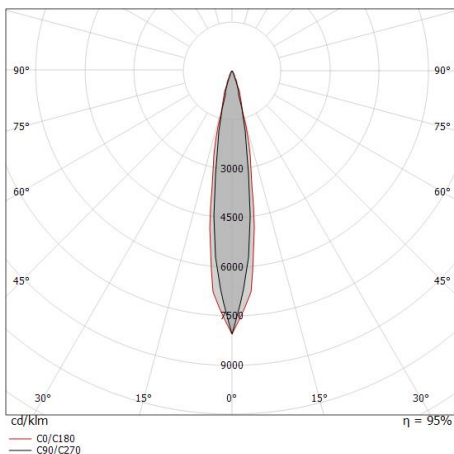
The device features protection class II and can be wall lights or ceiling-mounted, with a 120 mm diameter hole (in plasterboard).

Compliant with the EN 60598-1 standard and its specific provisions.

Illuminotechnical Features	
Light Output Ratio (LOR)	59 %
Source lumens	936 lm
Delivered lumens	557 lm
Consumption	9 W
Luminaire efficacy	61 lm/W
Colour temperature	3000 K
Standard Deviation of Colour Matching	3 Step MacAdam
Colour rendering index	80 Ra
Junction temperature (lighting fixture)	80
Standard Operating Ambient Temperature	25
LED Life / Failure Ratio	
L80 B20 C0 72.6h	

UGR	
X=4H   Y=8H	S=0.25H
Reflection factor	70/50/20
UGR transversal	< 16
UGR axial	< 16

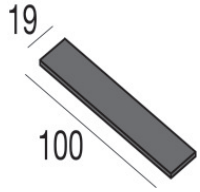
OPTICAL	
Light distribution simmetry	Symmetrical 2
C0/C180 optics	18°
C90/C270 optics	15°



Distance [m]	Cone diameter [m]	Illuminance [lx]
0.5	0.15 0.16	E(0°) 17937 E(C90) 7.7° 8733 E(C0) 9.2° 8688
1.0	0.27 0.32	E(0°) 4484 E(C90) 7.7° 2183 E(C0) 9.2° 2172
1.5	0.41 0.49	E(0°) 1993 E(C90) 7.7° 970 E(C0) 9.2° 965
2.0	0.54 0.65	E(0°) 1121 E(C90) 7.7° 546 E(C0) 9.2° 543
2.5	0.68 0.81	E(0°) 717 E(C90) 7.7° 349 E(C0) 9.2° 348
3.0	0.81 0.97	E(0°) 498 E(C90) 7.7° 243 E(C0) 9.2° 241

Distance [m]      Cone diameter [m]      Illuminance [lx]

— C0/C180 (Half-peak divergence: 18.4°)  
 — C90/C270 (Half-peak divergence: 15.4°)



Thick - KIT thicknesses for installation on plasterboard

**Code**  
60830