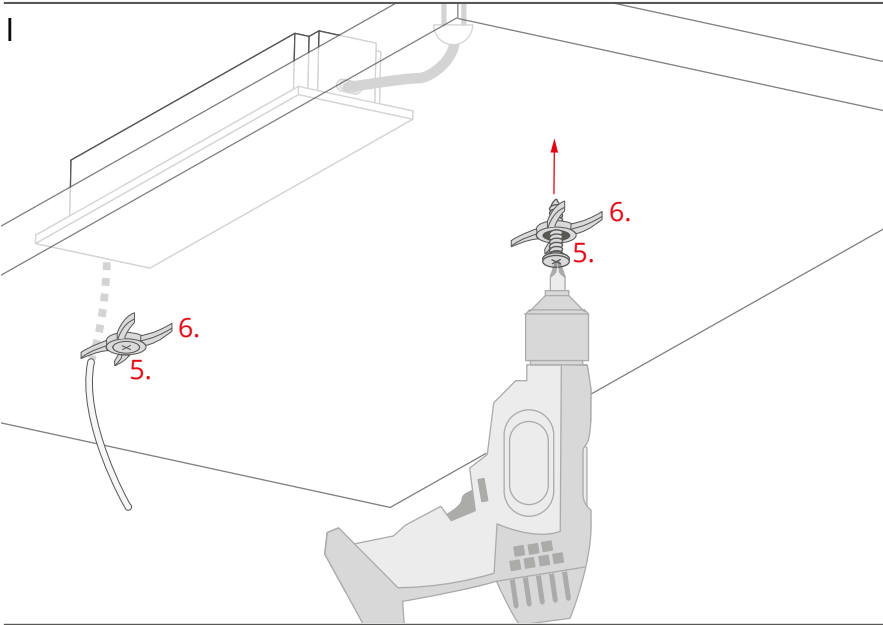


1. MICRO-H profile (Ref. C1419)
2. End cap*
3. Gland*
4. Block*
5. Screw
6. Mounting bracket*
7. LED strip*
8. Cover*
9. Power supply (12 V / 24 V)*

*The full range of accessories and electronics is available at www.KlusDesign.eu

NOTE! All LED tapes must be connected to a 12 V or 24 V power supply.

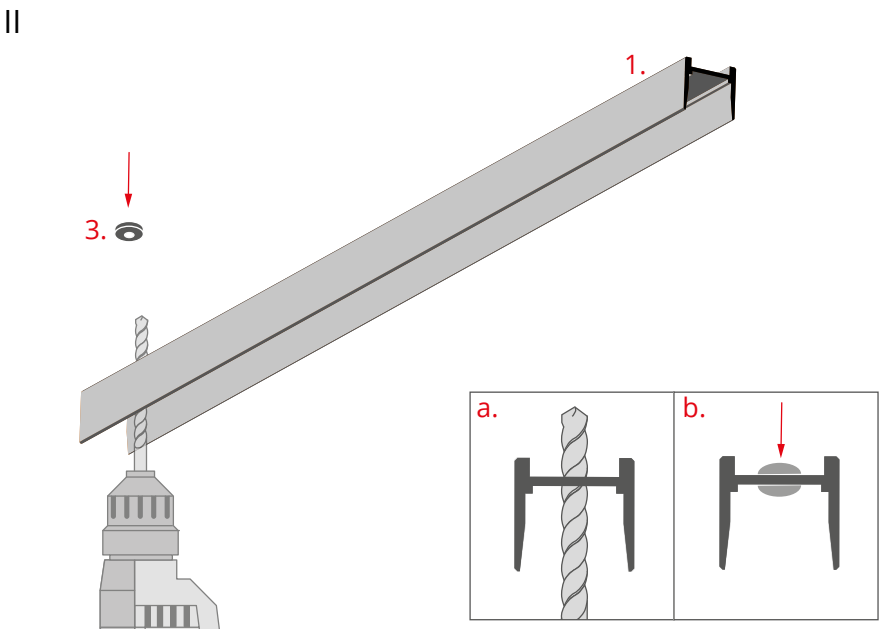
IMPORTANT: Not all possible mounting procedures are presented here. More mounting procedures and related accessories can be found at www.KlusDesign.eu. Drawings of extrusions and accessories in these instructions are simplified and only approximate the actual shapes.



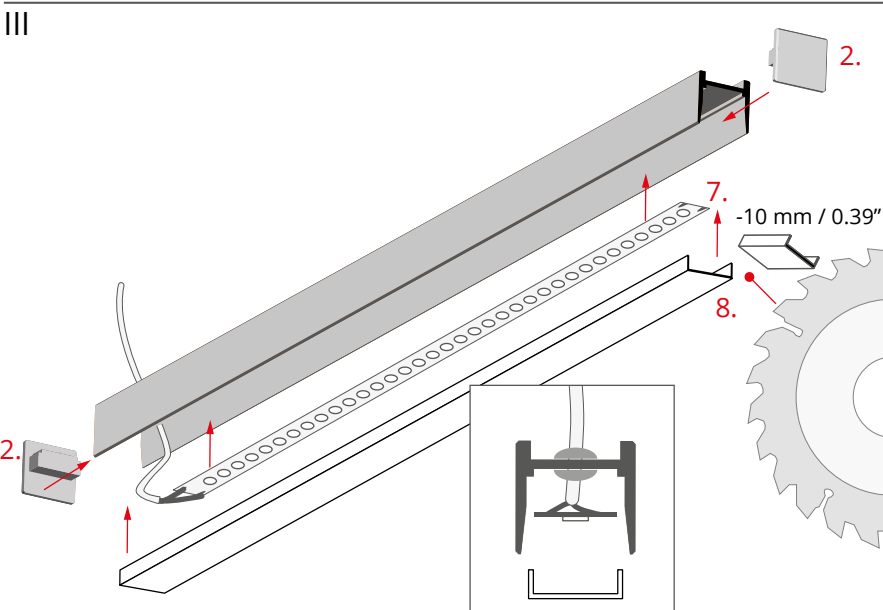
Screw the mounting brackets (6) to the surface, using appropriate screws (5).

It is recommended to use the following amounts of brackets:

- 2 pcs. for 1m of the profile
- 4 pcs. for 2m of the profile
- 5 pcs. for 3m of the profile



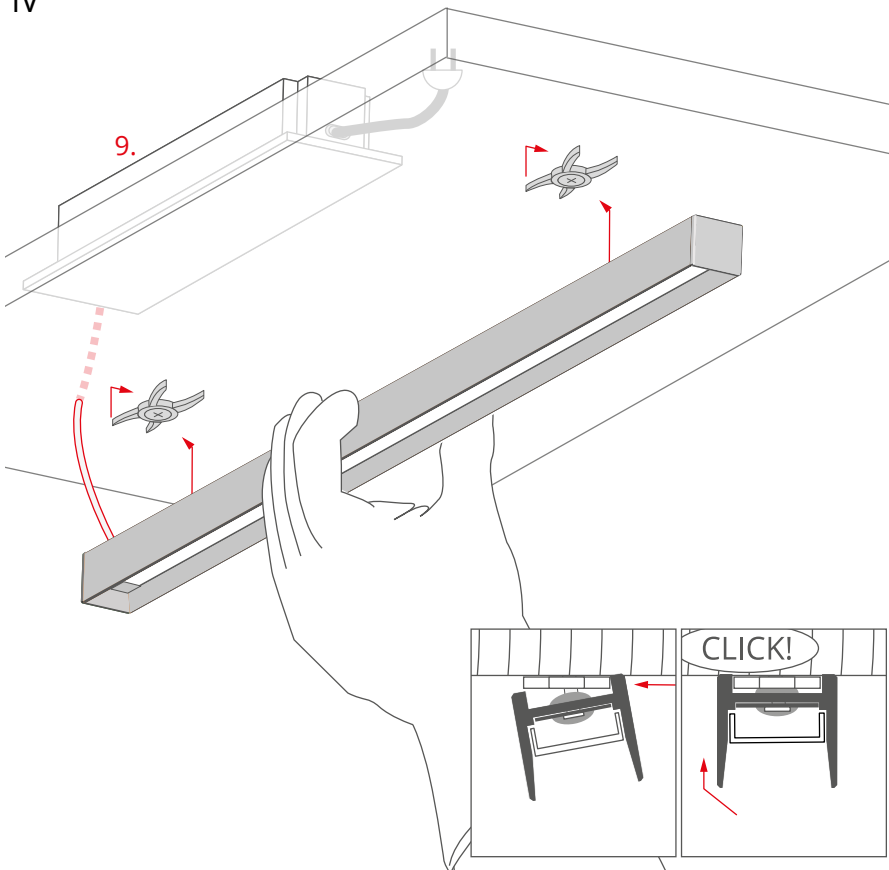
- a. Drill a hole in the profile (1) with a diameter adapted to the gland (3) used.
- b. Insert the gland in the hole.



Cut the cover (8) so that it is 10 mm / 0.39" shorter than the profile.

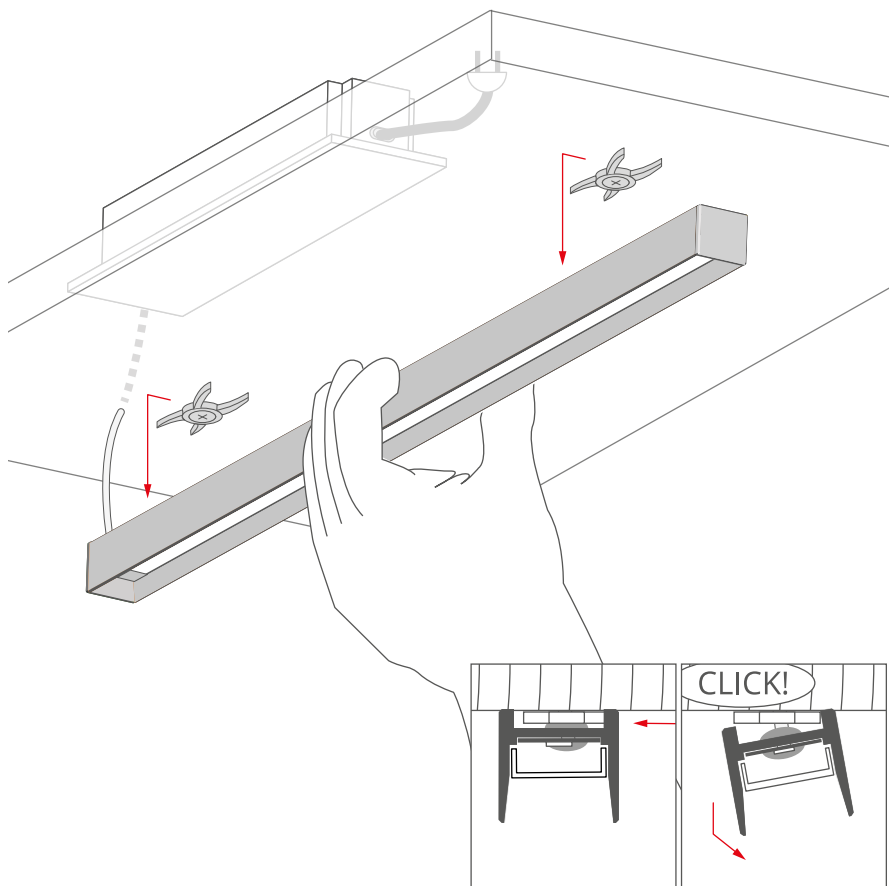
Adhere the LED strip (7), weld the wire through the gland. Mount the end caps (2) and the cover (8).

IV



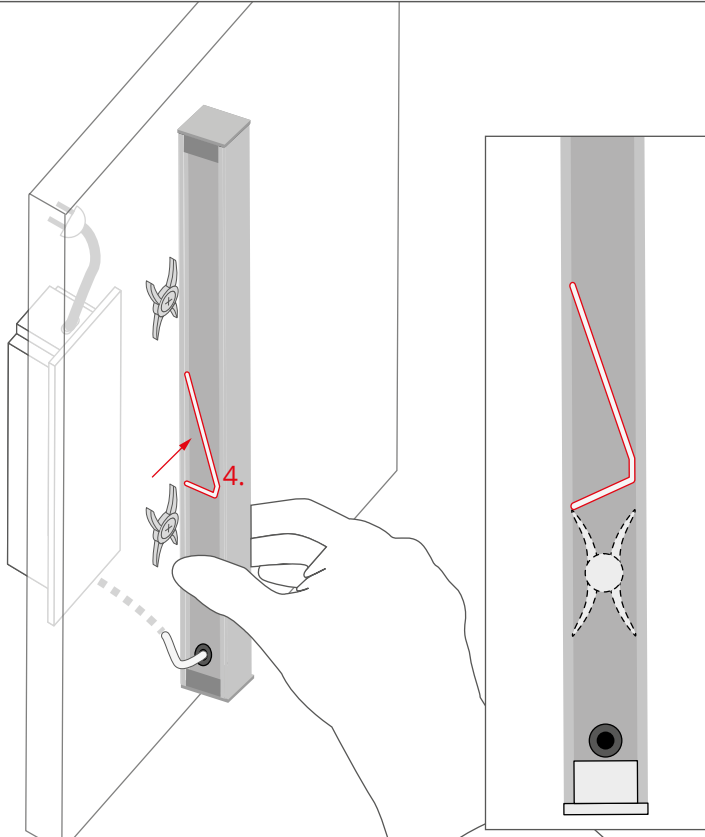
Connect the cable to the power supply (9) and mount the profile on the mounting brackets as shown on the drawing.

DISASSEMBLY



In order to disassemble the profile, move it perpendicularly to its axis and gently bend it away from the surface as shown on the drawing.

VERTICAL MONTAGE



Before the final installation place the assembled fixture next to the mounting brackets, so it is at its desired level. Place the block (4) right over the mounting bracket. It will prevent the fixture from sliding down. Finally mount the profile to the surface.

